

DATA SHEET

ELECTRIC FRYER BURNER

FELECT80

Electric machine for high production or as a professional equipment. Due to its quality, it is a very durable and sturdy machine designed for industrial use.



FELECT80

TECHNICAL SPECIFICATIONS:

- Suitable for indoor and outdoor use.
- Body made of AISI304 18/10 stainless steel.
- Stainless steel tank integrated into the body.
- Wheels for easy mobility.
- Flat heating element to prevent unproductive oil usage.
- Adjustable analog thermostat with temperature range from 0°C to 200°C.
- Independent safety thermostat, maximum temperature 200°C.
- Fully removable heating element for easy cleaning.
- Insulated with high-temperature SUPERWOLL thermal blanket, Density 128kg/m³, thickness 13mm. Except for chimneys.
- Exhaust chimneys made of AISI304 stainless steel, for hanging dosing equipment or potato cutters.
- Built according to CE regulations.
- Temperature range from 0°C to 200°C.
- 1" oil drain valve.
-

OPCIONAL:

- Special manufacturing for dimensions, tank depth, or conical/cylindrical shape.
- Lid.
- Mast for hanging dosing equipment or potato cutters.
- Insulation for chimneys.

MODEL: FELECT80

DIMENSIONS: LENGT/ 800. / WIDTH 800mm. / HIGH 800 mm

POWER: 15 KW.

TOP DIAMETER: Ø700mm.

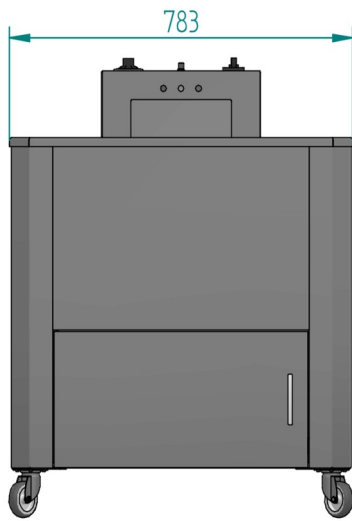
BOTTOM DIAMETER:500MM.

PAN HEIGHT: 170MM

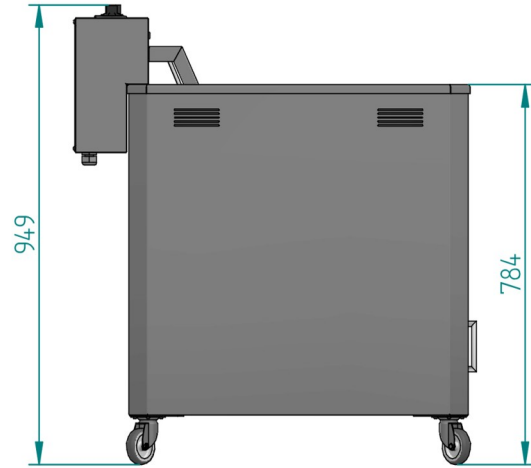
CAPACITY: 22 L

VOLTAJE: 380V.

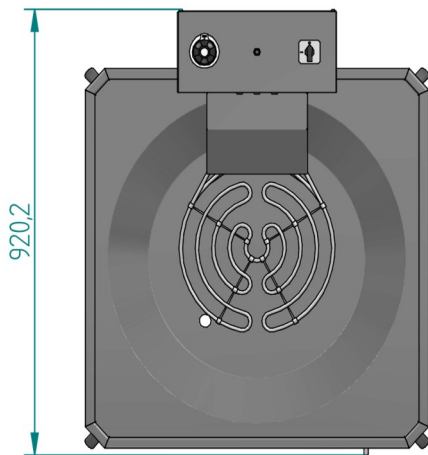
DIMENSIONS



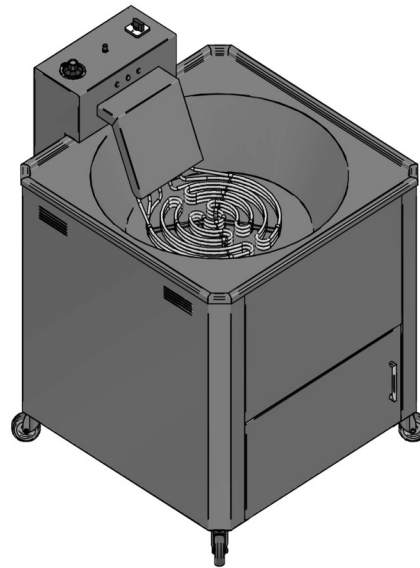
VISTA FRONTAL



VISTA LATERAL



VISTA PLANTA



VISTA ISOMÉTRICA

APROXIMATE WEIGHT. 66 Kg.
ELECTRICAL CONNECTION:380v, 4N, 50/60

The company reserves the right to make technical modifications without prior notice.

www.inhospaan.com

V1.0 - 2021/06/09